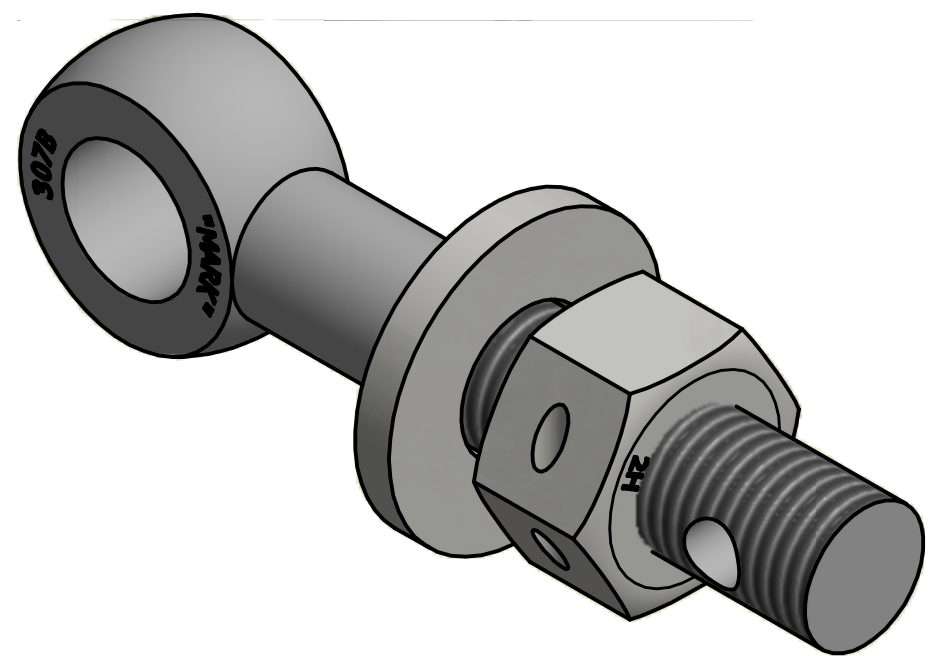
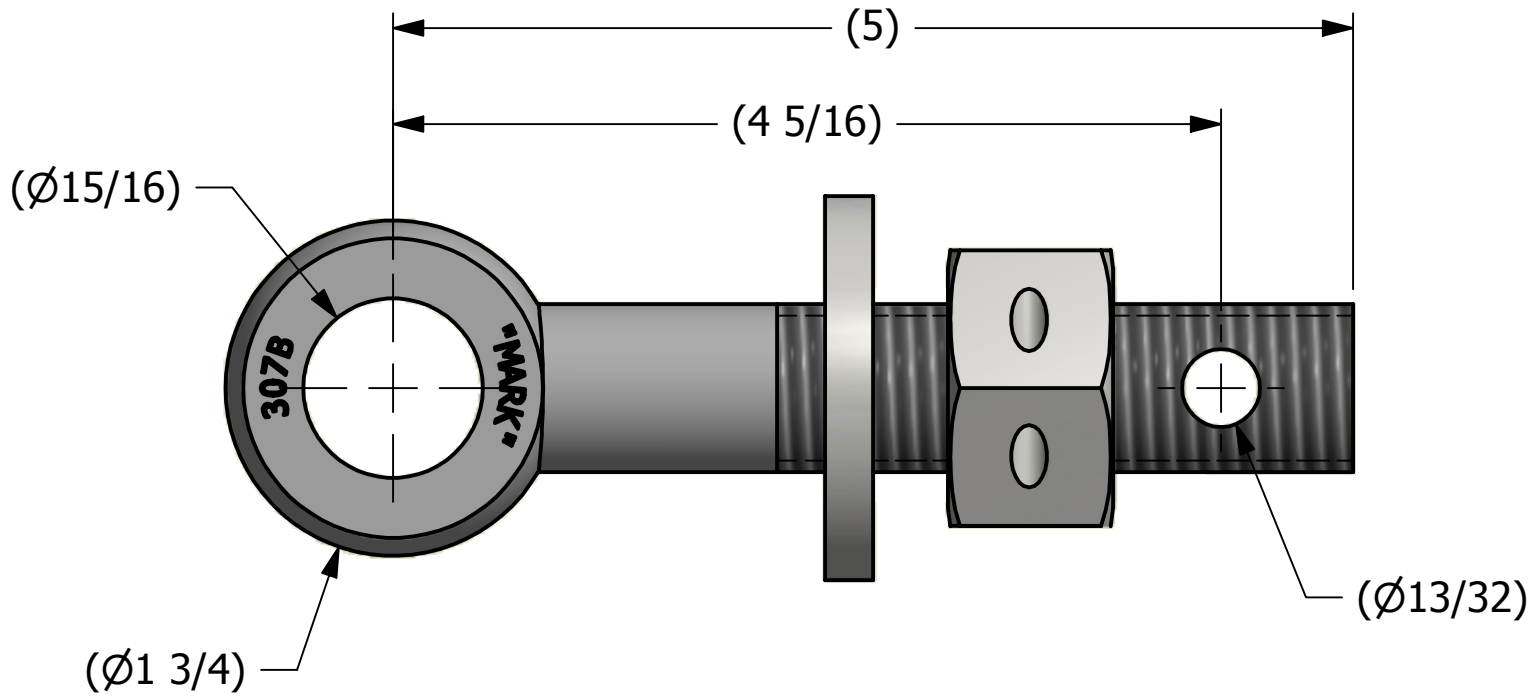
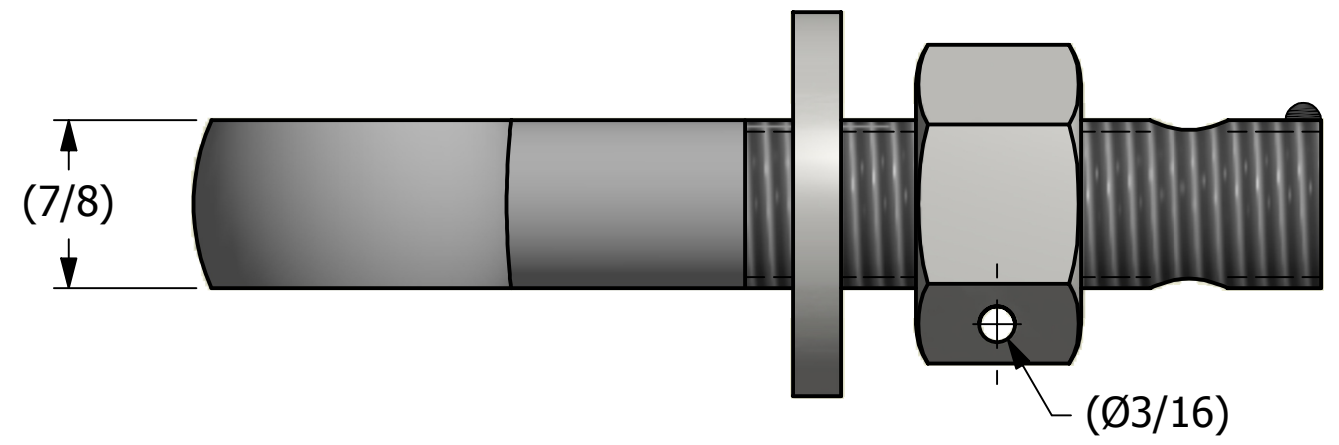


SALES DRAWING

SALES DRAWING



ISOMETRIC VIEW

B	JJK	4-16-14	UPDATED EYEBOLT OD
A	CHL	1-8-03	DRAWING RELEASED FOR PRODUCTION
SALCO PRODUCTS, INC.			
PART NAME: EYEBOLT ASSEMBLY 7/8"X5"			
MATERIAL: CARBON STEEL			
PROJECT #:		SHEET #: 1 OF 1	SCALE: 1:1
DRAWING #: B17313		PART #: EB785XHHA	

<small>UNLESS OTHERWISE SPECIFIED DIMENSIONAL TOLERANCES</small> FRACTIONAL: ±1/16 X.XX: ±.03 X.XXX: ±.015 ANGULAR: ±1° <small>DEBURR ALL SHARP EDGES. ALL MACHINED SURFACES TO HAVE A 125 RMS FINISH UNLESS NOTED OTHERWISE.</small> <small>THIRD ANGLE PROJECTION</small>	DRAWN BY:	CHL
	CHECKED BY:	ACC
	PROTOTYPE BY:	CHL
	PROTOTYPE DATE:	1/8/2003
	APPROVED FOR PRODUCTION BY:	ACC
	PRODUCTION DATE:	1/8/2003

THIS PRINT, PROPERTY OF SALCO PRODUCTS INC., CONTAINS PROPRIETARY INFORMATION AND MUST NOT BE COPIED, REPRODUCED, OR USED DETRIMENTALLY TO OUR INTEREST.